



- Measurement length 1 meter to 4,8 meters
- 0,8 mm stainless steel wire diameter
- High resolution options;  
0,4 - 0,2 - 0,1 mm / Pulse (or optional)
- 5 VDC or 10...30 VDC Power supply
- A, B, Z, /A, /B, /Z Encoder Signal Outputs (Push-Pull or Line Driver)
- High strength stainless steel wire
- 2 m/s maximum speed
- Wide working temperature range of -25 to +85 °C
- IP65 Protection class
- Shock/Vibration resistant
- 2,4N Maximum extension force
- Aluminum anodized body

AWE 210 wire encoders are incremental wire transducers that turn a linear motion into coded digital pulses. Optionally other stroke lengths, resolution, cable length and socket connector can be requested.

They are made of an incremental encoder, activated by the stroke of a, winding or unwinding, stainless steel wire. A special feature is their easy assembling. The linking together to a display or an electronic positioner supplies an excellent system to measure the dimensions on machine tools, automatic, wood, marble, glassworking machinery etc.

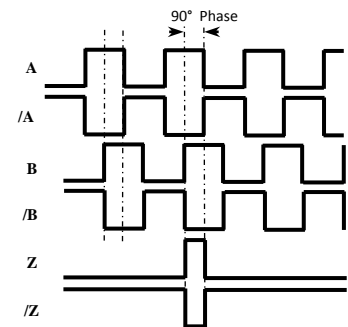
## TECHNICAL SPECIFICATIONS

<b>Power Supply</b>	10...30VDC ±%20 , 5VDC ±%5 5...24VDC ±%20 , 5...30VDC ±%20
<b>Resolution (mm / Pulse)</b>	0.4, 0.2(Standard), 0.1mm (Please ask for the other requests)
<b>Stroke Length (mm)</b>	1.000, 1.500, 2.000, 2.500, 3.000, 4.000, 4.800 (Please ask for the other requests)
<b>Accuracy</b>	±0,4 mm/meter
<b>Maximum Speed</b>	2 m/s
<b>Output Signals</b>	AB , ABZ, AB/A/B, ABZ/A/B/Z
<b>Maximum Output Current</b>	Max. 60 mA per channel
<b>Protection Class</b>	IP65
<b>Working Temperature</b>	- 25 to +85 °C
<b>Relative Humidity</b>	10 to 90%
<b>Weight</b>	1.000 grams

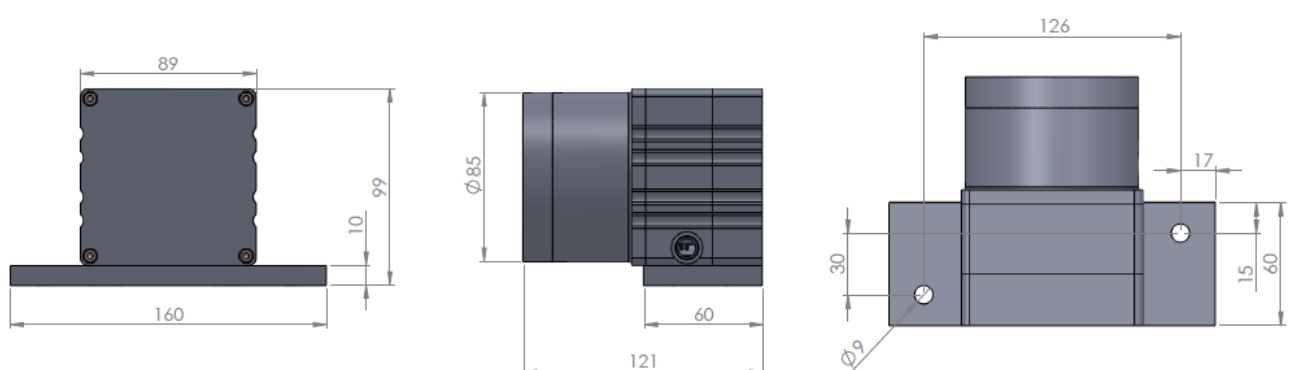
### PIN NO SIGNAL CABLE COLOR

PIN NO	SIGNAL	CABLE COLOR
1	A	YELLOW
2	/B	WHITE
3	+V	RED
4	0 V	BLACK
5	/A	BLUE
6	B	GREEN
7	/Z	GREY
8	Z	PINK
9	EARTH	SHIELD

In the left tablet he cable colors of sensors output signals are given. If the control circuit is suitable in the Line Driver sensors of the not output signals (/A, /B, /Z) have to be added to the system. If it is not suitable /A, /B, /Z signal cables must be fixed as insulated separately. Don't forget that these edges have electricity too.

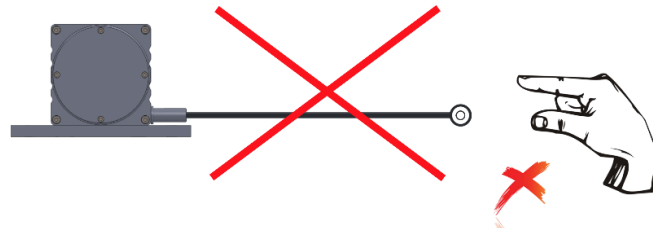


## MECHANICAL DIMENSIONS

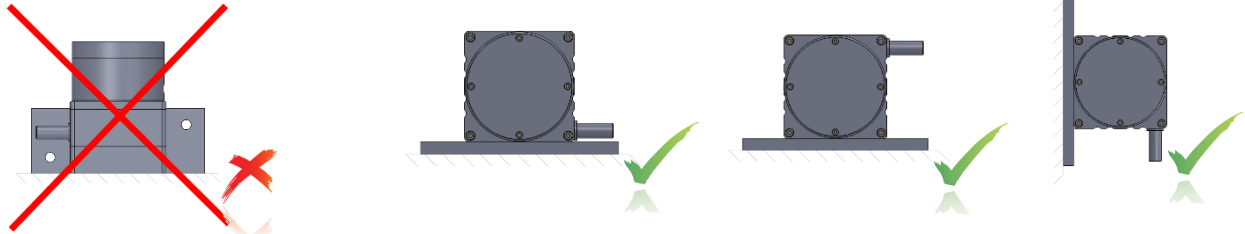


**MOUNTING - WARNINGS**

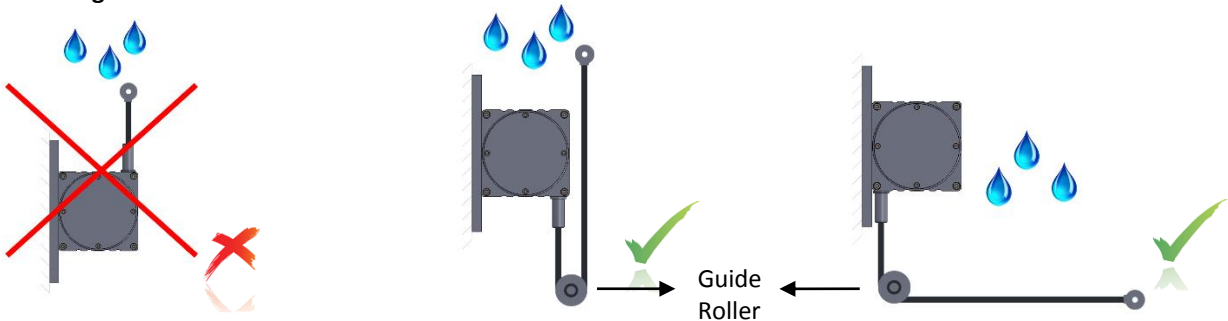
1. Do not release the wire suddenly, after pulling.



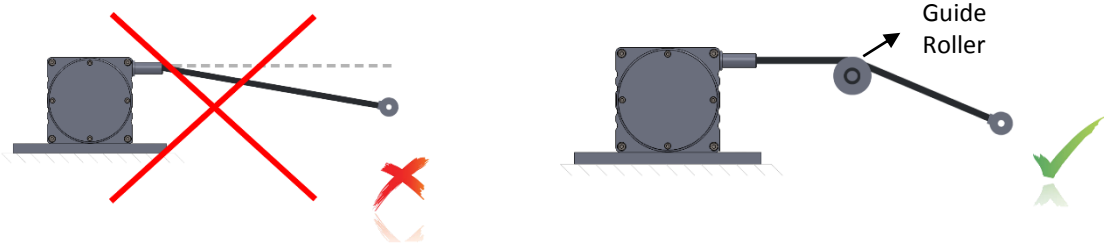
2. The wire encoder must be mounted vertically in position, not be horizontally.



3. If there is a trickle of water (like a rain), the wire outlet must not be a drip of water upstream. If needed please use guide rollers.



4. The wire should not be pulled in angular. If needed, please use guide rollers.



**Failure to comply with these recommendations, the malfunctions that may occur will not be under the warranty.**

**Order Code**

**Model**

AWE 210

**Stroke Length**

- 1000 : 1000 mm
- 1500 : 1500 mm
- 2000 : 2000 mm
- 2500 : 2500 mm
- 3000 : 3000 mm
- 4000 : 4000 mm
- 4800 : 4800 mm

\* Please ask us for other requests

**Output Signals**

- 3 (A,B,Z)
- 6 (A,/A,B,/B,Z,/Z)

<b>AWE 210</b>	<b>XX</b>	<b>XXX</b>	<b>XXX</b>	<b>X</b>	<b>3M</b>
	<b>Resolution</b> 04 : 0,4 mm / Pulse 02 : 0,2 mm / Pulse (Standard) 01 : 0,1 mm / Pulse * Please ask us for other requests		<b>Power Supply and Output</b> PP : 10...30 VDC Supply : 10...30VDC Output TTL : 5 VDC Supply : 5 VDC TTL RS422 Line Driver Output HTL : 10...30 VDC Supply : 5 VDC TTL RS422 Line Driver Output HPL : 5...24 VDC Supply : 5...24 VDC Push-Pull Output PTL : 5...30 VDC Supply : 5 VDC TTL RS422 Line Driver Output		<b>Cable Length</b> 3M : 3M (standard) 5M : 5M 10M : 10M S16 : M16 Socket Connector S23 : M23 Socket Connector * Please ask us for other cable lengths and socket connectors

**Atek Sensor Technology A.S.**

Tuzla KOSB Organize Sanayi Bolgesi Melek Aras Bulvari, No:67 34956 Tuzla-Istanbul / TURKEY

Tel: +90 216 399 44 04

Fax: +90 216 399 44 02

[www.ateksensor.com](http://www.ateksensor.com)

[info@ateksensor.com](mailto:info@ateksensor.com)

